

ARITERM WOOD FIRED BOILERS

ARITERM

For a sustainable future



Ariterm 60+ supplemented with pellet burner Ariterm PX22.

■ Wood fired boiler with high efficiency

Ariterm 60+ is a modern self-drawing boiler with large wood magazine and is a successor to our classic Arimax wood fired boilers. The boiler is adapted for connection to an accumulator tank and can also be equipped with a pellet burner. The boiler fulfils the latest and highest standards(class 3) of the European norms for minimal emissions and best efficiency levels.

High efficiency levels

Thanks to the boiler's optimum combustion and excellent insulation a high boiler efficiency (86%) and limited environmental emissions are achieved.

Spacious ceramic hearth

Ariterm 60+ has an extra large wood magazine of 120 litres. The wood fired boiler is fired with half meter logs, which are placed on the ceramic grate in the hearth that is surrounded by a water jacket. The wood fired boiler works according to the principle of "bottom combustion" where the wood is gasified and combusts efficiently under high temperature in the lower, ceramic lined part of the boiler.

Accumulator tank

Ariterm 60+ must be installed with an accumulator tank. A suitable volume is 1800-5000 litres.

Pellet fired

Ariterm 60+ can be supplemented with pellet burner Ariterm PX22. The burner is installed by changing the side hatch for one equipped with Ariterm pellet burner adapter.

Solar powered system

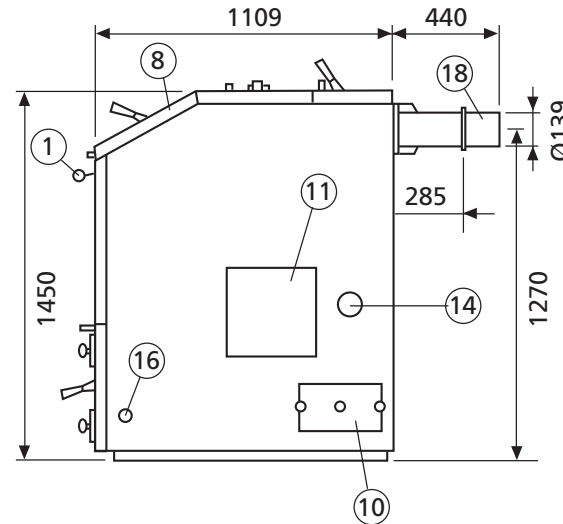
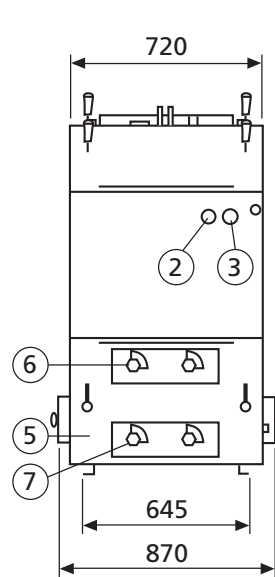
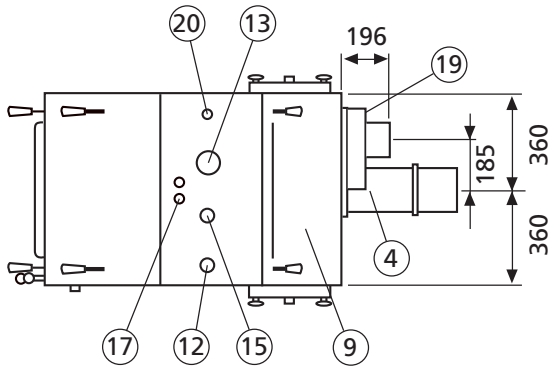
With a complete wood and solar power system from Ariterm one has a comfortable, energy efficient and environmentally friendly heating and hot water system.

ARITERM SWEDEN AB

Flottiljvägen 15, SE - 392 41 Kalmar

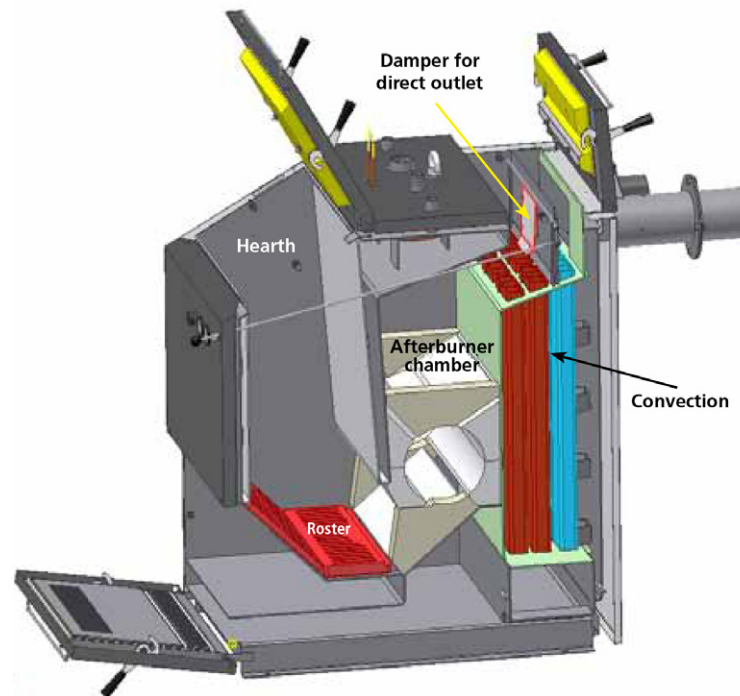
www.ariterm.se

WOOD FIRED BOILER ARITERM 60+



Connections:

- | | | |
|----|--|-----------|
| 1 | Turning plate adjustor | |
| 2 | Water pressure gauge | |
| 3 | Water thermometer | |
| 4 | Combustion gas thermometer | |
| 5 | Firebox hatch | |
| 6 | Primary air damper | |
| 7 | Secondary air damper | |
| 8 | Refill hatch | |
| 9 | Convection cleaning hatch | |
| 10 | Convection ash removal hatch | |
| 11 | Fixed hatch for afterburning chamber | |
| 12 | Safety valve connection | DN 20 |
| 13 | Water accumulator outlet | DN 50 |
| 14 | Water accumulator return | DN 50 |
| 15 | Expansion unit | DN 25 out |
| 16 | Blow-off unit | DN 15 |
| 17 | Cooling spiral units | Cu 15 |
| 18 | Flue connection | 168 |
| 19 | Flue gas fan | |
| 20 | Boiler water temperature sensor pocket | |



Included in the delivery

- Angled flue pipe
- Sweeping tool

Accessories

- Pellet burner hatch adapted for Ariterm PX22
- Accumulator tank
- Temperature sensor for accumulator tank
- Solar and shunt control
- Charge automatic

Pellet fired

Pellet burner Ariterm PX22 is installed by changing the side hatch for one equipped with Ariterm pellet burner adapter. When using the pellet burning the adjustment for primary and secondary air is shut completely. Over heating protection must always be installed. Detailed instructions on how to install the pellet burner are supplied with the burner.

Immersion heaters

Ariterm 60+ cannot be installed with an additional immersion heater. Any immersion heaters are installed in the accumulator tank.

Accumulation

With the appropriate charge automatic (accessory) good layering is achieved in the tank and prevents too low return temperature to the boiler. Thereby the time between each firing is extended which gives greater heating and hot water comfort. Recommended tank volume 1800-5000 litres.

Cooling coil

As standard, Ariterm 60+ is equipped with a cooling coil that prevents the boiler overheating.

Chimney

When installing a new boiler the chimney should always be inspected to check seal, draw and condensation risk. An insert may need to be installed.

Ariterm 60+		
Output wood	kW	20-60
Output pellets	kW	20
Water volume boiler	litres	172
Weight (net)	kg	750
Min length chimney	meter	5
Rec. chimney diameter	Ø mm	180

Note!

In the absence of sufficient draught the chimney must be equipped with a smoke fan